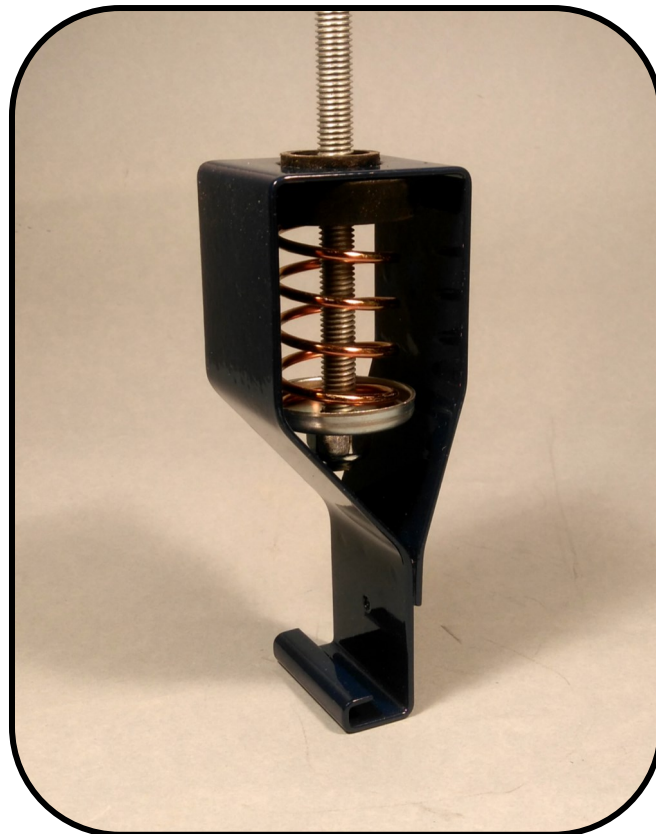




MASON U.K.

VIBRATION CONTROL PRODUCTS AND
ACOUSTIC FLOOR SYSTEMS

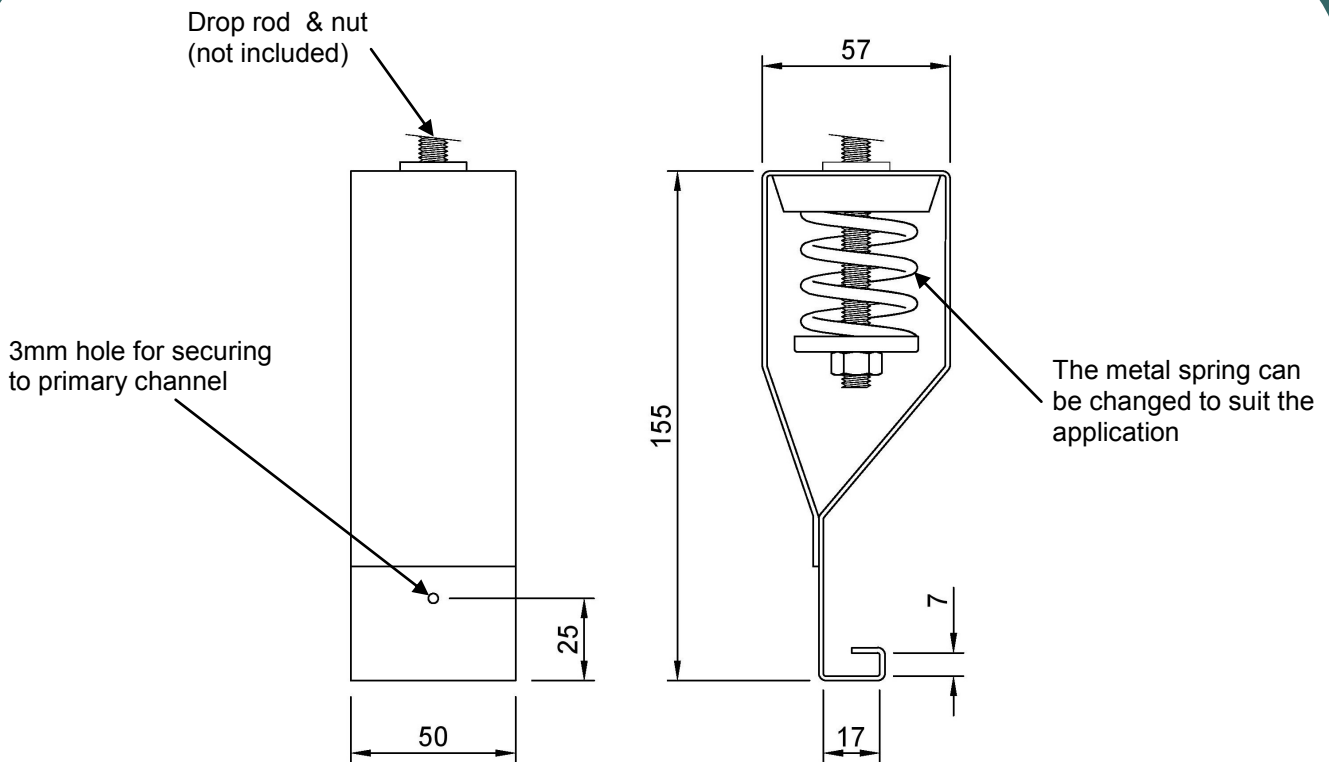
HDQF-X Quick Fit Ceiling Hanger (Spring Variant)



- Allows for quick and easy installation of most metal grid ceiling systems.
- The hangers can support ceiling weights of up to 59kg per hanger.
- The spring elements can provide up to 33mm static deflection, with a hanger natural frequency of down to 2.8Hz.
- The spring element can be replaced with a variety of rubber elements (see HDQF-A Series).

Mason U.K. Ltd.
Unit 6 Abbey Business Park
Monks Walk
Farnham, Surrey
GU9 8HT

Phone: 01252 716610
Fax: 01252 716630
E-mail: info@mason-uk-co.uk
Web: www.mason-uk.co.uk



	<i>Rated capacity (kg)</i>	<i>Rated deflection (mm)</i>	<i>Rated Natural Frequency (Hz)</i>
<i>HDQF-X-23</i>	10	33	2.8
<i>HDQF-X-33</i>	15	28	3.0
<i>HDQF-X-54</i>	24	25	3.2
<i>HDQF-X-76</i>	34	25	3.2
<i>HDQF-X-113</i>	51	25	3.2
<i>HDQF-X-130</i>	59	25	3.2

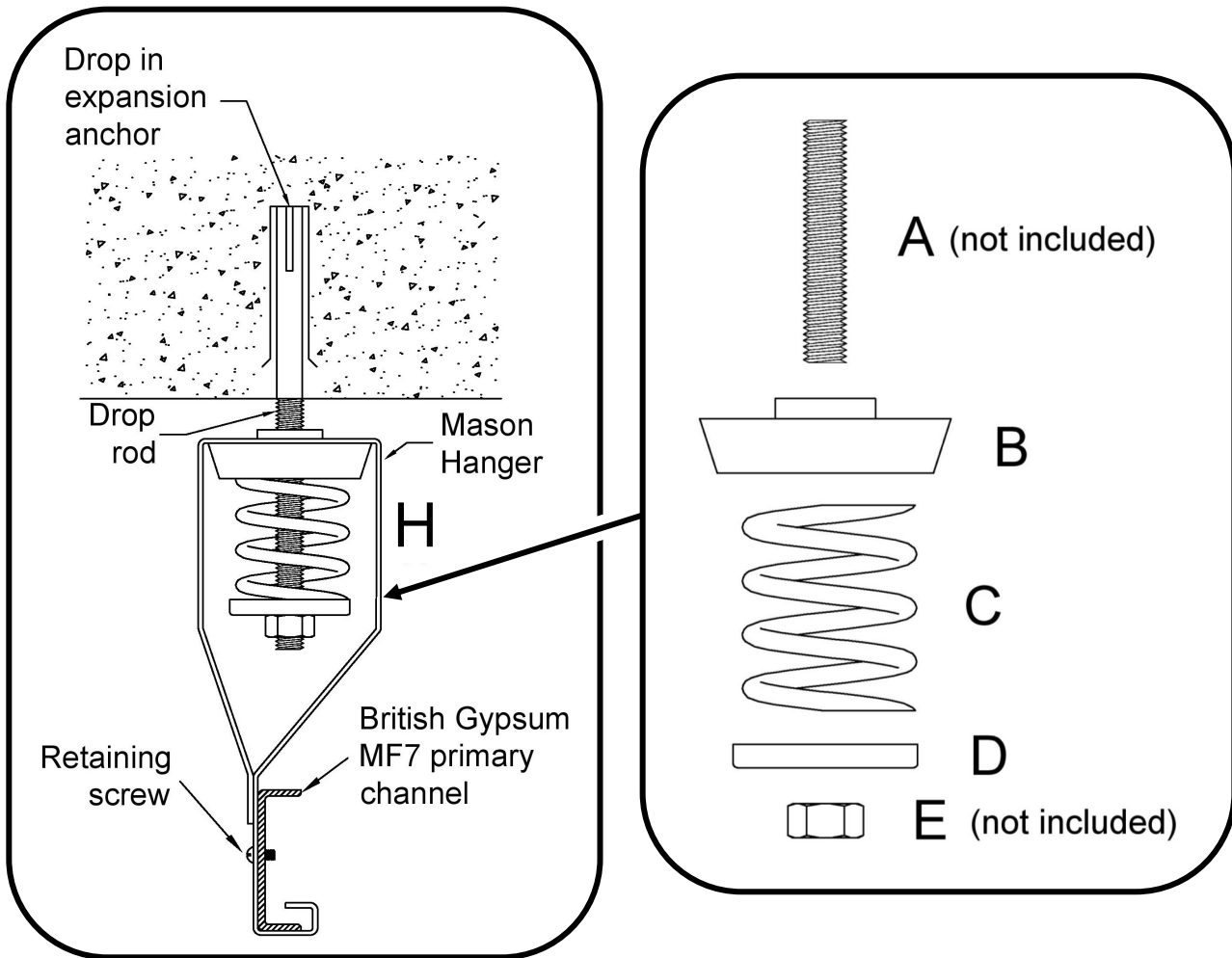
NOTE

- Mason HDLP-X series spring hangers can compress up to 25mm at rated capacity.
- Please allow for the compression of the spring hanger when installing ceiling systems.

Mason U.K. Ltd.
Unit 6 Abbey Business Park
Monks Walk
Farnham, Surrey
GU9 8HT

Phone: 01252 716610
Fax: 01252 716630
E-mail: info@mason-uk.co.uk
Web: www.mason-uk.co.uk

Typical Installation for Mason HDQF-X Series Spring Hangers



A	-	Drop Rod (not supplied)
B	-	Rubber cup
C	-	Spring element
D	-	Metal cup
E	-	Self-locking nut (not supplied)
H	-	Mason hanger box

Installation instructions:

- Fix the top of the drop rod to the soffit, bracket or ceiling joist as required.
- Assemble the hanger as above.
- If desired, pre-compress spring with large penny washer and nut on top by a maximum of 10mm.
- Set all the hangers to the same height by laser or similar method.
- Install the ceiling system in the normal way.

Mason U.K. Ltd.
Unit 6 Abbey Business Park
Monks Walk
Farnham, Surrey
GU9 8HT

Phone: 01252 716610
Fax: 01252 716630
E-mail: info@mason-uk.co.uk
Web: www.mason-uk.co.uk